

## Salutation to your solution!

- Sudhakar Attili.

1. Bob, Tim and Lisa are colleagues, but they differ in their heights. Tim is 14 inches taller than Lisa. The difference between Tim and Bob's height is Two inches less than between Bob and Lisa's. Tim at 6 feet 6 inches is the tallest in the three. How tall are Lisa and Bob?
2. A large family contains seven sons and each one of them has one sister. How many people are in that family?
3. A farmer noticed that 20 hens hatch 30 eggs in 21 days. How long will it take for 30 hens to hatch the same number of eggs?
4. Can you find the value of  $\sin 25^\circ \times \cos 25^\circ \times \tan 25^\circ \times \operatorname{cosec} 25^\circ \times \sec 25^\circ \times \cot 25^\circ$ ?
5. There is a princess dress in the shape as shown in the figure A. The diameter of the bottom circular periphery is 2.1 m. Height of the dress is 1.61m and diameter of top circular periphery is 0.7 m. Find the area of the cloth required for the dress.
6. A merchant buys three different variety of coffee powers for different rates and mix them up and sells them for a common rate. If he buys 17 pounds at \$30/lb, 18 pounds at \$25/lb, 20 pounds at \$22.50/lb and sells at \$27.50/lb. What profit or loss does he get?

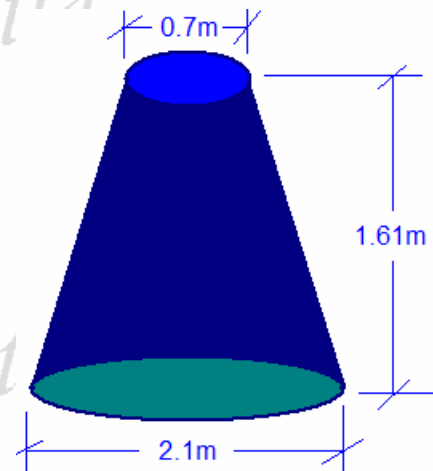


Figure A

You can send your answers either by post or by e-mail to the below address on or before December 15<sup>th</sup>.

### Mailing Address:

Editor, Sanghamitra,  
12450 Lyric Ct.  
Saint Louis,  
MO 63146.

e-mail : [susri@sanghamitra.org](mailto:susri@sanghamitra.org)