

Solutions & Winners

Kids' 'X' Word Solution

1	C	2	A	3	K	4	E	X	5	A	6	R	7	C
8	A	P	R	I	9	L	X	10	E	L				
11	R	E	I	G	N	X	12	C	E					
	R	X	S	X	13	A	R	E	A					
14	O	15	T	H	16	E	R	X	17	S	N			
18	T	A	N	K	X	19	I	S	X					
X	20	L	A	I	21	R	X	22	I	23	O			
24	I	L	X	25	P	R	O	N	G					

Kids Challenge!

Did you find the word?
It is "FEAST".

Smart kids:

1. Sravya Ainapurapu, St. Louis, Missouri.
2. Tarun, New Jersey.
3. D. Aditya, Lucknow.

Kids' 'X' word Winners:

1. D. Aditya, Lucknow.
2. Sonali, Kansas.

Salutation to your solution! - Answers

1. Heights of Tim, Bob and Lisa are 6' 6", 6' and 5' 4" respectively.

Solution : Tim's height is 6' 6".

Tim is 14" taller than Lisa. So Lisa's height is 6' 6" – 14" = 5' 4".

Let's assume Bob's height is X.

The difference of heights between Tim and Bob is 2" less than the difference of heights of Bob and Lisa.

$$\text{So } 6' 6" - X = X - 5' 4" - 2"$$

$$2X = 6' 6" + 5' 4" + 2" = 11' 12" = 12'$$

$$X = 6'$$

So Bob's height is 6'.

2. If father and mother are staying with them, then they are total 10 members. Each one of the seven sons are having one sister. They all have a common sister. So they are all 8.

3. Answer is 21 days.

Even if you increase the number of hen, the hatching time can not be reduced.

4. Answer is 1.

$$\text{Solution : } \sin 25^\circ \times \operatorname{Cosec} 25^\circ = 1; \cos 25^\circ \times \operatorname{Sec} 25^\circ = 1; \tan 25^\circ \times \operatorname{Cot} 25^\circ = 1;$$

$$\text{So } \sin 25^\circ \times \cos 25^\circ \times \tan 25^\circ \times \operatorname{Cosec} 25^\circ \times \operatorname{Sec} 25^\circ \times \operatorname{Cot} 25^\circ = 1$$

5. Answer is 7.7215 sq. meters.

Solution : Lateral surface area of Cone = πrS .

The diameter of the lower circular periphery is 2.1 meters and diameter of upper circular periphery is 0.7 meters. If we extend the dress, as shown in figure, it forms a cone.

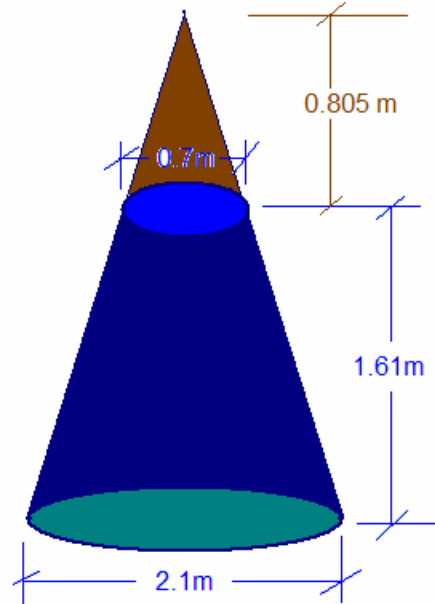
The diameter from 2.1 meters to 0.7 meters was reduced in a distance (Height) of 1.61 meters.

So the height of the Cone = $(2.1/1.4) \times 1.61$
= 2.415 m.

The height of smaller Cone = $2.415 - 1.61$
(in brown) = 0.805 m.

Lateral surface area of cone with diameter 2.1 m and height 2.415 meters = $\pi \times 1.05 \times 2.6334$
= 8.6867 sq. meters.

Lateral surface area of cone with diameter 0.7 m and height 0.805 m = $\pi \times 0.35 \times 0.805$
= 0.9652 sq. meters.



6. See below tabular form for the answer.

	Weight of Coffee powder	Cost of coffee powder (\$)	Total cost (\$)
First variety	17	30	510
Second variety	18	25	450
Third variety	20	22.50	450
Total	55		1410

So the cost price of 55 pounds of powder = \$1410.

Selling price of 1 pound of powder = \$27.50

Sold price = $55 \times 27.50 = \$1512.50$

So total profit = $\$1512.50 - \$1410 = \$102.50$

Salutation to your solution! - Winners :

1. T. Anoop, East Godavari Dt.

3. Ravi Bhagavatula, Chicago, IL.

2. Sarada Shonti, Kakinada.

Question Gallery! - We ourselves disclosing answers!!

1. "Kavi Brahma" is the title given to Tikkana Somayaji.
2. "East West" was written by Salman Rushdie.
3. The Vikram Sarabhai Space Center is located on the Arabian Sea coastline of Trivandrum, the capital city of Kerala. The place name is Thumba.
4. Varanasi also known as Kashi, Benares is located in Uttar Pradesh, near by the river Ganges (Ganga).
5. The capital of the state Haryana is Chandigarh.
6. Dynamo is useful to convert mechanical energy into Electrical energy.
7. One pound is equal to 16 Ounces.
8. Symbol of Gold is Au.
9. Yamini Krishna Murty is known for her Kuchipudi dance.
10. The word 'Home run' is used in Base ball game.

Question Gallery! – Winners :

1. Ravi Bhagavatula, Chicago.
2. T. Anoop, East Godavari Dt.
3. Rajeswara Rao Ainapurapu, Visakhapatnam.

Quotations

- The dead are only dead when they die in the thoughts of the living.
- The main danger in this life are the people who want to change everything – or nothing.
- You can fool some of the people all of the time, and all of the people some of the time, but you cannot fool all of the people all of the time.
- No one can really pull you up very high – even if some one pulls you up you can withstand as you loose your grip on the rope. But on your own two feet, you can climb mountains.
- It is a good book when it is opened with expectation, and closed with delight and profit.